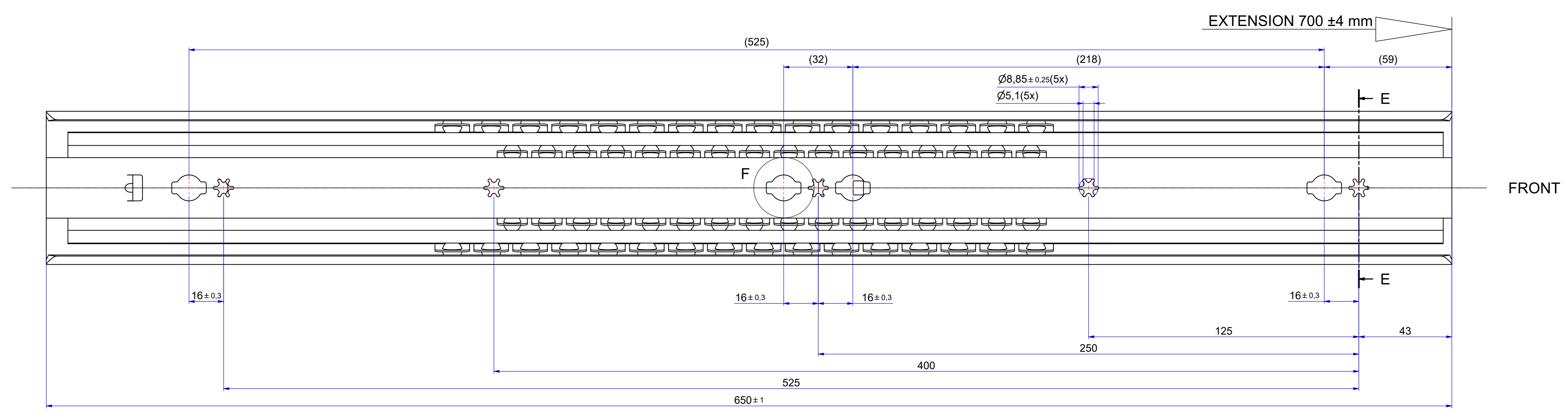
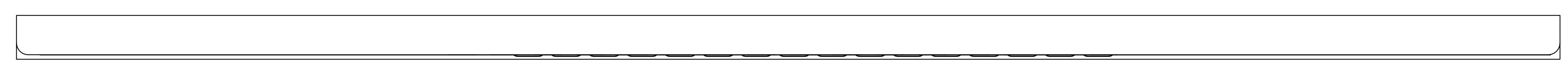
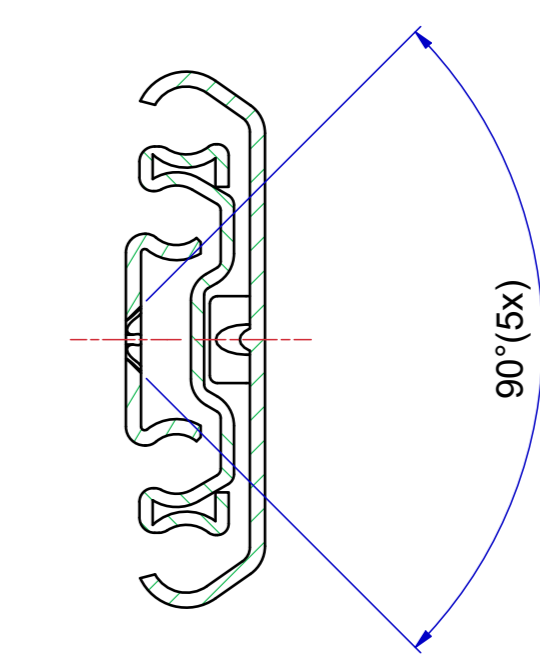


G-G

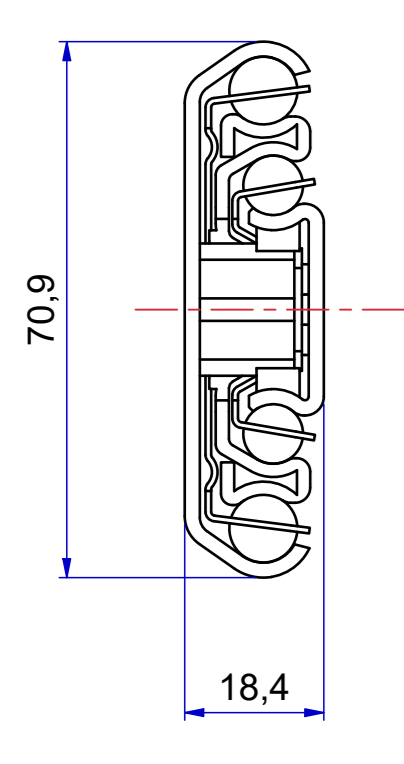
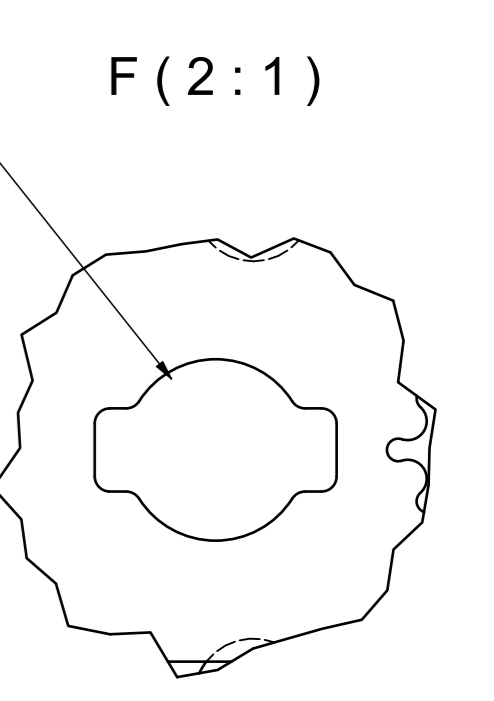


FRONT



E-E

Feature for optional clickbracket (4x)  
To be ordered separately: 16551495  
Quantity: 4 pieces per slide



### Released for Production

Designer	Gen.Tol.Dim. ± 0,5	Third angle projection	Scale 1:1
c.keulers	Gen.Tol.Angle ± 0,5		
Date	Gen.Roughness Ra		Doc.No. E000178823
28-8-2025	Units mm/deg.		Model No. E000178822

Right hand slide = Left hand slide.  
Dimensions between marks are guide dimensions.

Thomas Regout Int. B.V. reserves the right to alter non-customer specific specifications without notice.

Description		Item No.	Revision
TITAN-D- 650/700mm (18.5) Zinc-Magnesium		M01-AB2	00
Thomas Regout Int.	THOMAS REGOUT INTERNATIONAL BV Industrieweg 40 - 6219 NR Maastricht The Netherlands		