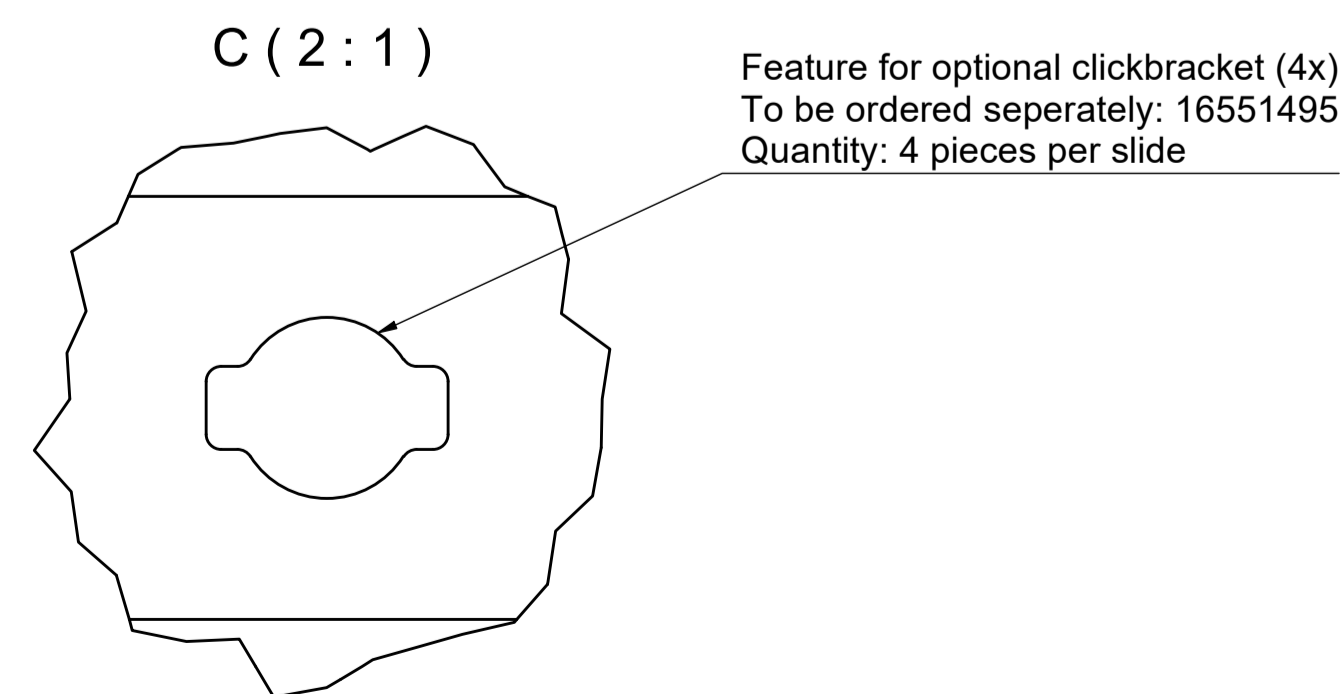
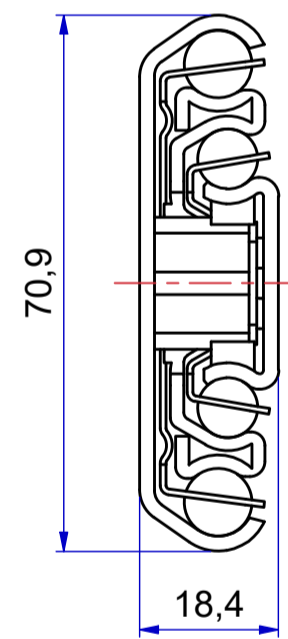
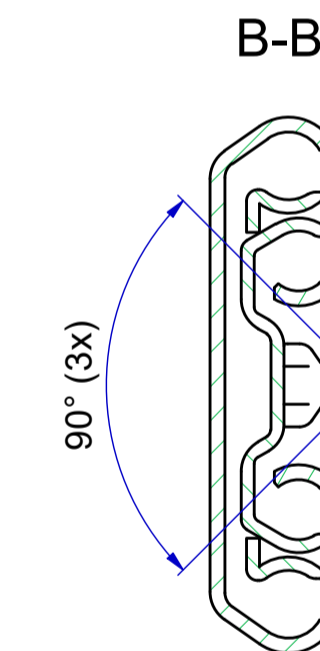


FRONT



Right hand slide = Left hand slide.
 Dimensions between marks are guide dimensions.
 Thomas Regout Int. B.V. reserves the right to alter non-customer specific specifications without notice.

Released for Production			
Designer I.hoffmann	Gen.Tol.Dim. ± 0,5 Gen.Tol.Angle ± 0,5	Third angle projection	Scale 1:1
Date 14-7-2025	Gen.Roughness Ra Units mm/deg.		Doc.No. E000176809 Model No. E000176808
Description TITAN-D- 300/320mm (18.5) Zinc-Magnesium			
Thomas Regout Int.	THOMAS REGOUT INTERNATIONAL BV Industrieweg 40 - 6219 NR Maastricht The Netherlands	Item No. M01-AA0	Revision 00
<small>© All rights are reserved.</small>			