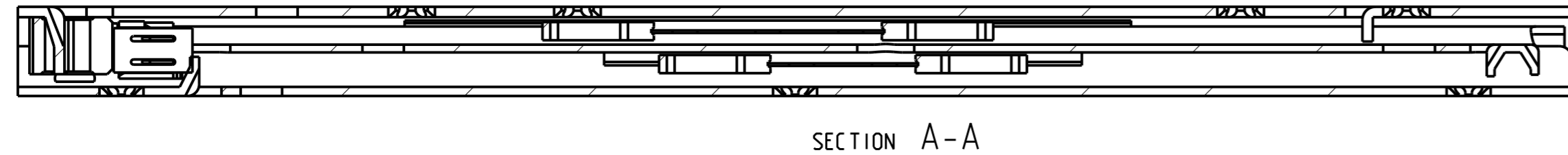
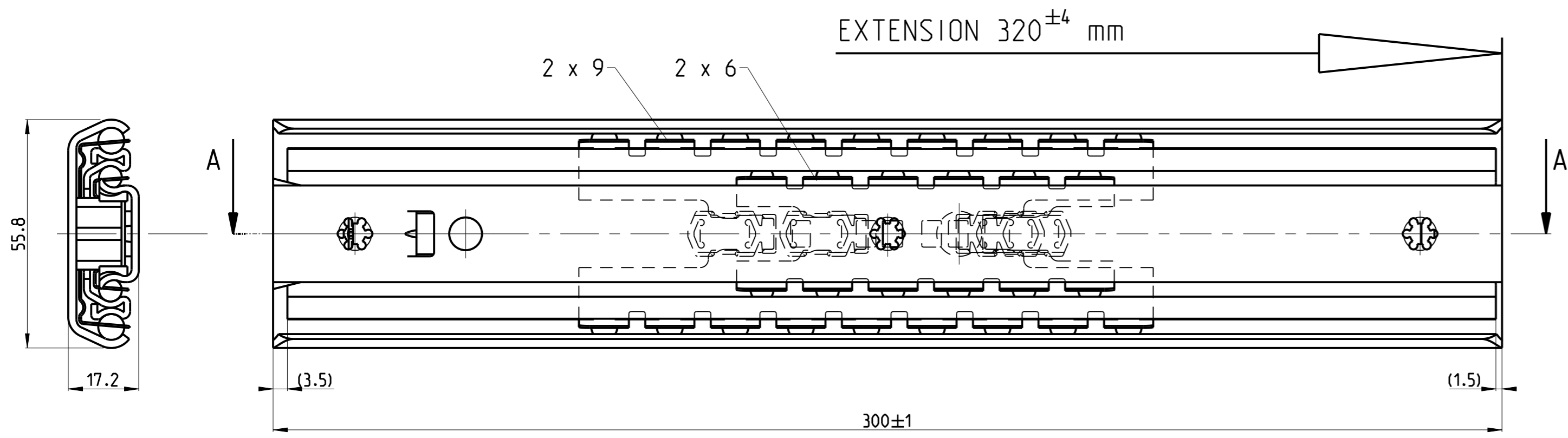


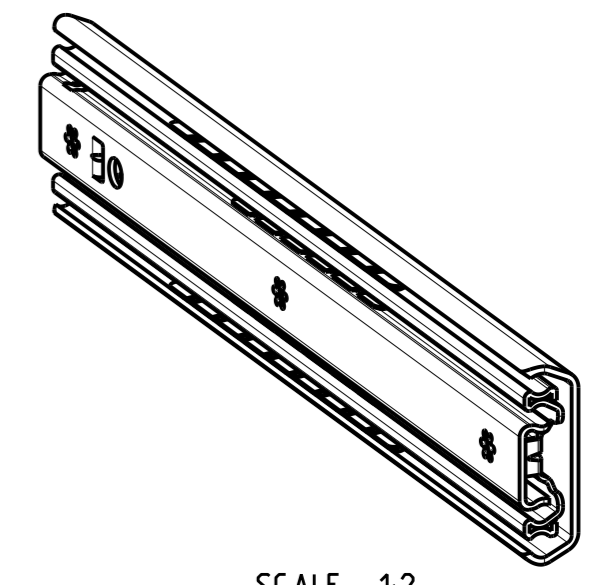
T 1-2 = 142.5
T 2-3 = 177.5



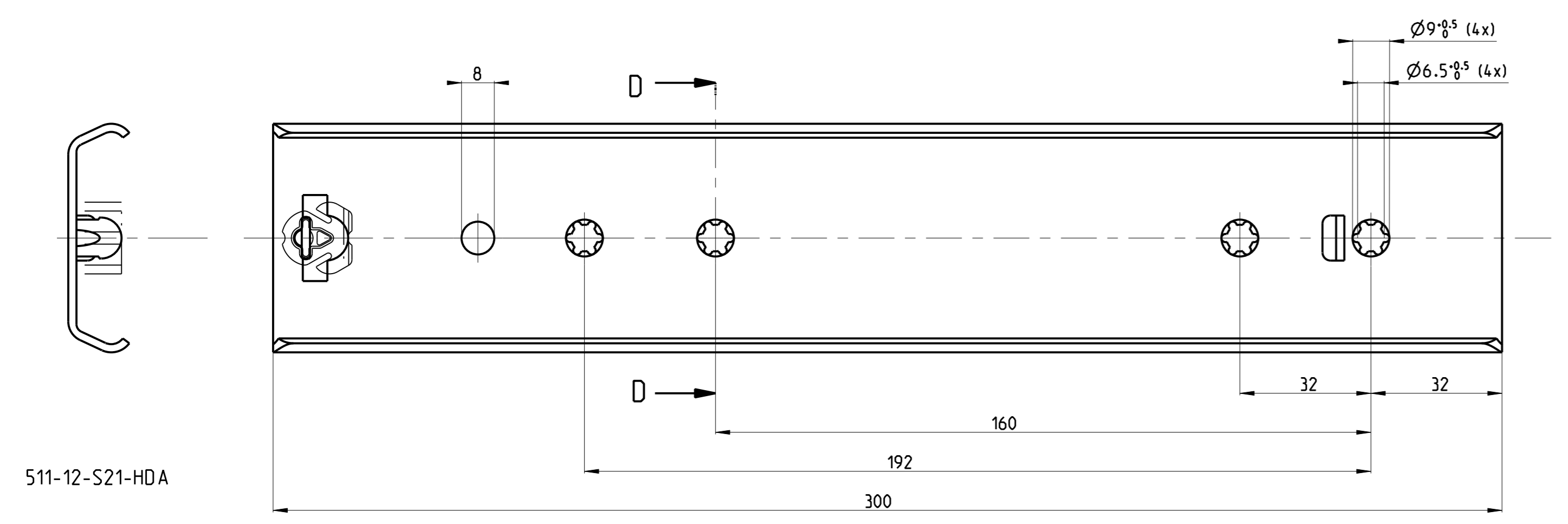
SECTION A-A



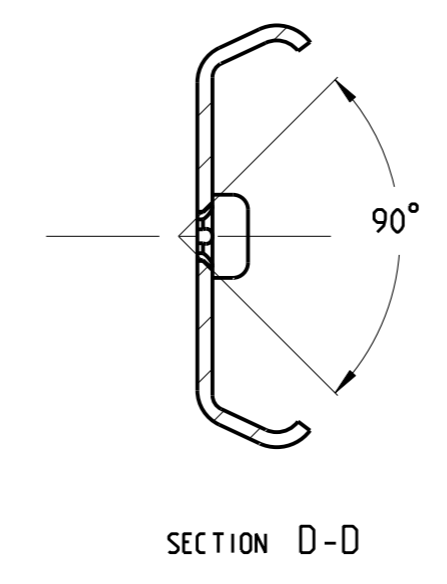
FRONT



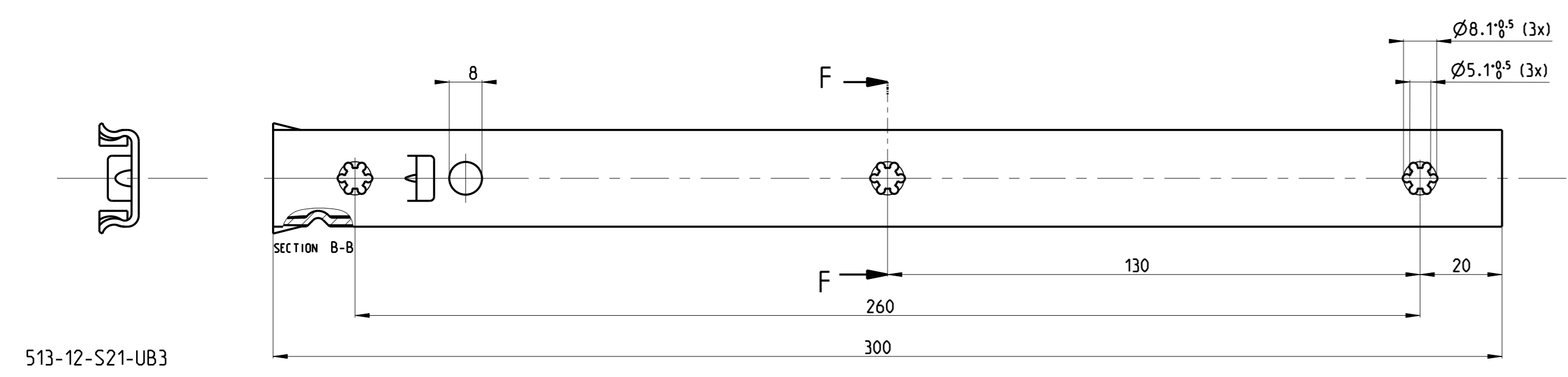
SCALE 1:2



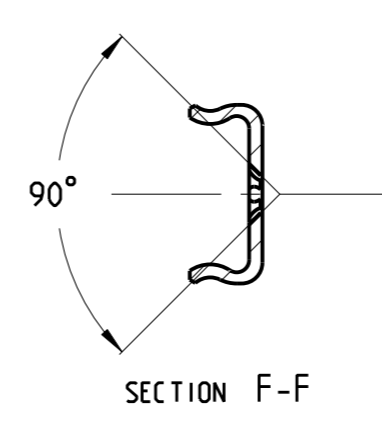
511-12-S21-HDA



SECTION D-D



513-12-S21-UB3



SECTION F-F

PRO/ENGINEER Drawing	Dimensions between marks are guide dimensions. Tolerances unless otherwise stated ±0.5mm.		Thomas Regout Int. B.V. reserves the right to alter non-customer specific specifications without notice.
Was: - 112-F55-00			
American projection	DIMENSION	mm	MAT.: -
	SCALE	1:1	REM.: Right hand slide = left hand slide.
	DATE	10-08-2011	-
	DESIGNER	M. Mahieu	-
	CHECKED	-	Type D
ULF HD 300,0 / 320,0 (17,2mm)			
THOMAS REGOUT INTERNATIONAL BV		Drw. Nr.	Format.
		112-S21 _ 00	A1
© Thomas Regout International BV All rights are reserved.		Production	

04	-	-	-	-	05	-	-	-	-	06	-	-	-	-
01	-	-	-	-	02	-	-	-	-	03	-	-	-	-